



Phoenix

Reclining Shower Chair

Hygiene Equipment
Designed for People

Rebotec Phoenix

A durable reclining shower chair with an easy-to-clean design. Polyamide nylon construction with stainless steel fasteners guarantees no rust.



Registered at Medical Products Agency, Germany, as a MD Class 1 product, MDR 2017/745

TR reserves the right to make design changes and/or improvements without notice.

Reclining shower chair with tilting adjustment infinitely variable. Simple to maintain as well as a completely mechanical design. Soft and durable polyurethane seat, backrest and leg support allows for comfortable positioning and easy cleaning. Hygiene bucket with vacuum seal top included.



TR EQUIPMENT

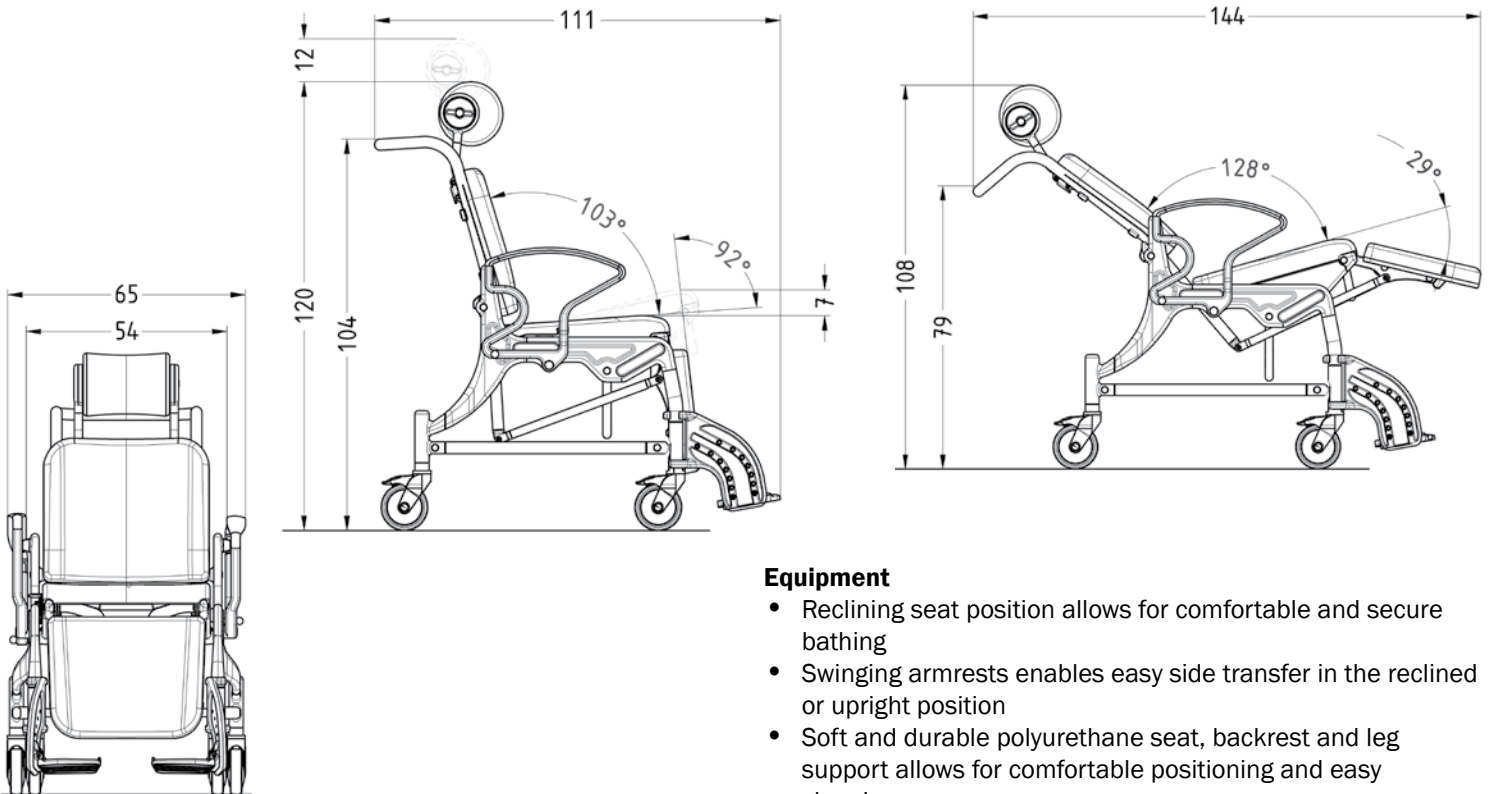


Phoenix

Reclining Shower Chair

Hygiene Equipment
Designed for People

Dimensions (cm)



Technical specifications

Dimensions		
Height	120 cm	47"
Width	65 cm	25,6"
Depth	111 cm	43,7"
Seat height	58 cm	22,8"
Seat width	54 cm	21"
Seat depth	43 cm	17"
Body weight max.	150 kg	330 lbs
Product weight	29 kg	63 lbs

Equipment

- Reclining seat position allows for comfortable and secure bathing
- Swinging armrests enables easy side transfer in the reclined or upright position
- Soft and durable polyurethane seat, backrest and leg support allows for comfortable positioning and easy cleaning
- Height adjustable, swinging and removable foot supports standard
- 5" hospital grade swiveling and locking castors for secure transfers
- Polyamide nylon construction with stainless steel fasteners guarantees no rust
- Hygiene bucket with vacuum seal top included
- Approved up to 330 lbs body weight
- Five year warranty on frame for long lasting confidence

Accessories

- Safety Belt, leg belt 322.30.10
- Safety Belt, for chest and waist 322.30.20
- Belt Comfort Pad 322.10.50
- Comfort headrest 450.10.59
- Arm rest 440.10.32
- Splash-Protection 440.10.40
- IV Pole 440.00.93

Art no

Head office
TR Equipment AB, Sweden
Phone: +46 140 38 50 60
info@trequipment.se
www.trequipment.com

TR Group Inc
130 North Madison Street
Rockford, IL61107, USA
Phone: +1 (800) 752 6900
Email: information@trequipment.com
www.trequipment.com



TR EQUIPMENT